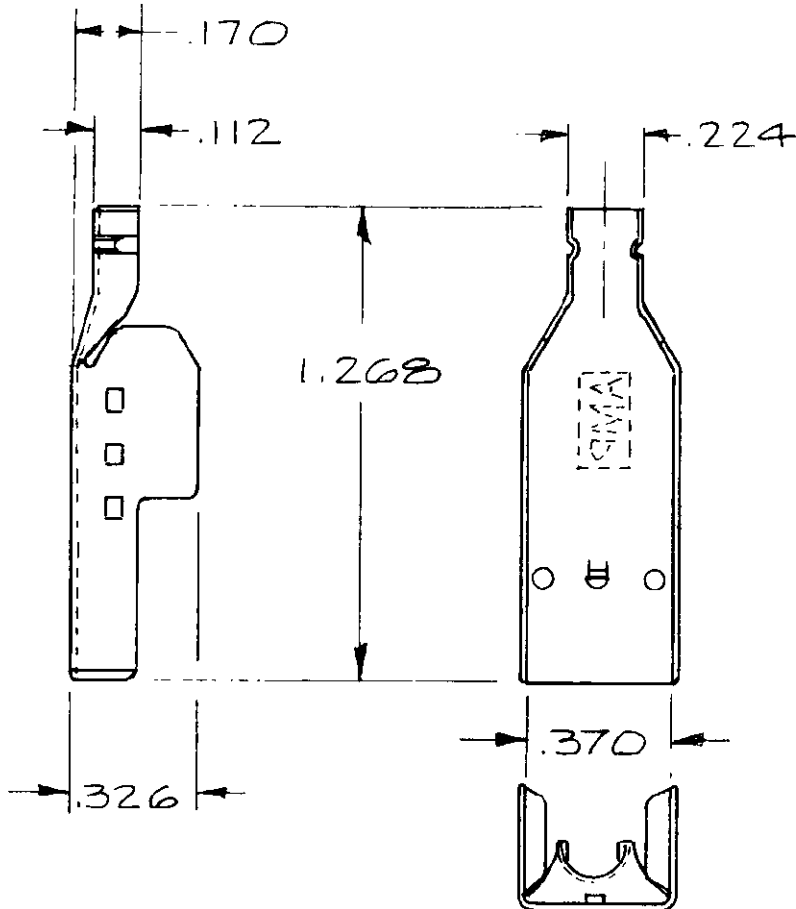


© COPYRIGHT 1982 BY AMP INCORPORATED, HARRISBURG, PA. ALL INTERNATIONAL RIGHTS RESERVED. AMP INCORPORATED PRODUCTS COVERED BY U. S. AND FOREIGN PATENTS AND /OR PATENTS PENDING.

REVISIONS				
LTR	DESCRIPTION	DATE	APPROVED	
<i>0</i>	<i>ALL WAS 5238-11</i>	<i>7-16-82</i>		
<i>A</i>	<i>REV LOC & DIST AD-4171</i>	<i>JPG 11-21-89</i>	<i>BF</i>	
<i>B</i>	<i>REV PER 0G3C-0449-00</i>	<i>30OCT00</i>	<i>JM</i>	

102988-2 1. AS SHOWN



UNLESS OTHERWISE SPECIFIED DIMENSIONS ARE IN INCHES. TOLERANCES ON: DECIMALS ± .010 ANGLES ±

MATERIAL COPPER ALLOY .020 TH'K

FINISH PRE-TINNED .000030 MIN.

CONTRACT NO	
DRG	<i>0 arch 7-1-82</i>
CHK	<i>J. Landis 7/20/82</i>
APPD	<i>J. Landis 7/20/82</i>
APPD	<i>J. Landis 7/20/82</i>
DSGN APPD	
OTHER APPD	

	AMP INCORPORATED Harrisburg, Pa.
--	-------------------------------------

NAME SHELL, OUTER, 180° CABLE EXIT
AMP MODU & AMP MODU MT,
6 POSITION SHIELDED CONNECTOR

SIZE	CODE IDENT NO	DRAWING NO
A	00779	<i>102988</i>

SCALE *N.T.S.* SHEET *1 OF 1*